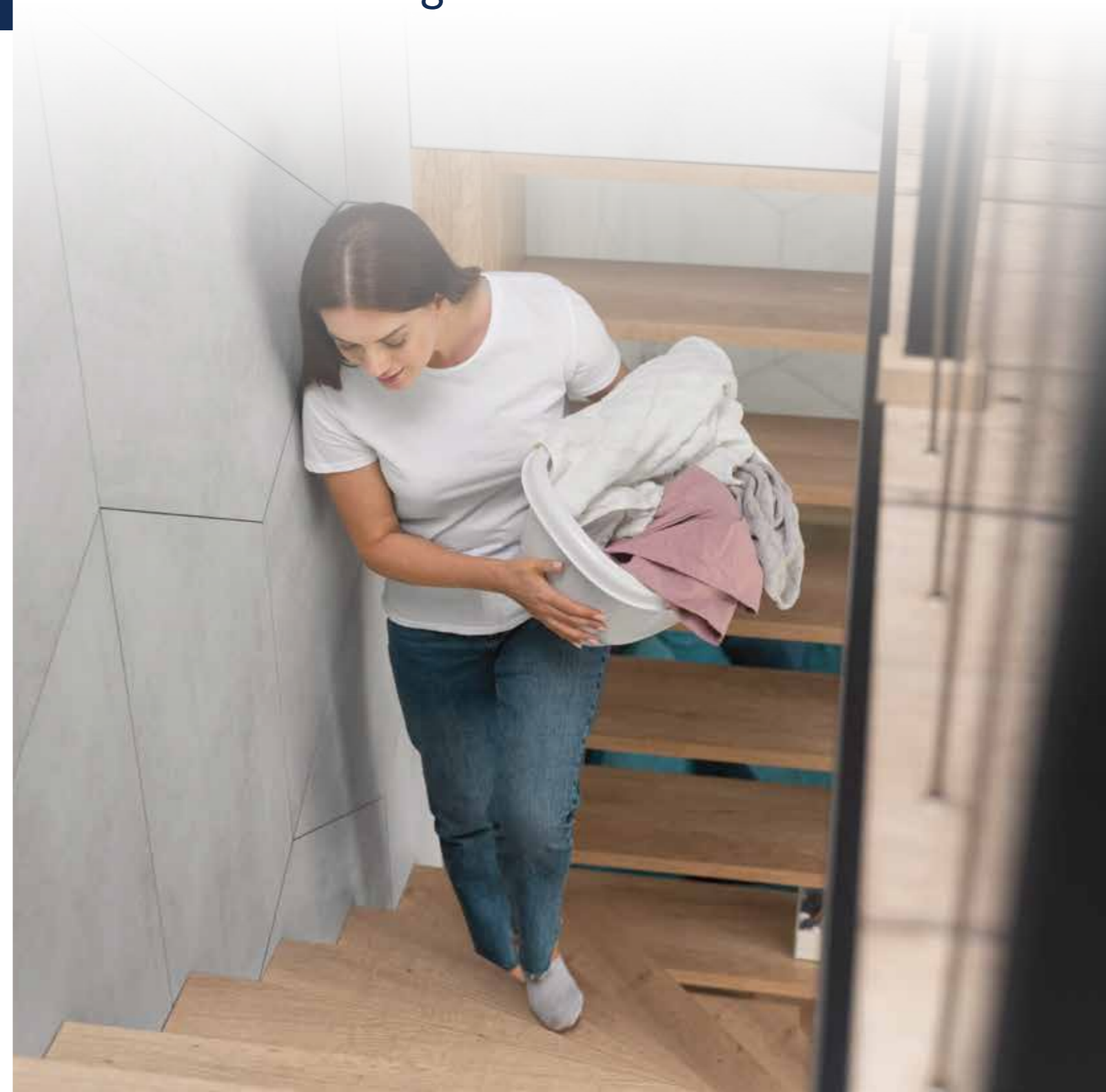


TONY+ PATRICK

Bring Innovations to Life



TONY+ PATRICK

International Department

Website : www.tony-patrick.com

Email : info@ab-innovations.co.th

Office : (+66) 02 - 457 - 7217

Sales : (+66) 080 - 262 - 6199

Address : AB Innovations Co., Ltd.

112/6 Soi Thian Talay 20, Samdam

Bangkhuntien, Bangkok 10150

Thailand

www.tony-patrick.com

CONTENTS



TONY+PATRICK is a professional laundry system equipment manufacturer. Focusing on innovation, efficiency, and savings, TONY+PATRICK is widely recognized as one of the best partners for laundromat operators.

TONY+PATRICK is always leading ahead of the industry using our ECO-ENERGY technology. As a result, our machines are more energy-efficient and eco-friendly for people, the planet, and the profit of all partners.

TONY+PATRICK
Here for You



1	High Spin Washer (Soft Mount)	03
	TPS125/160	04
	TPS220	05
	TPS250	06

2	Fast Spin Washer (Hard Mount)	07
	TPH125/160	08
	TPH220	09

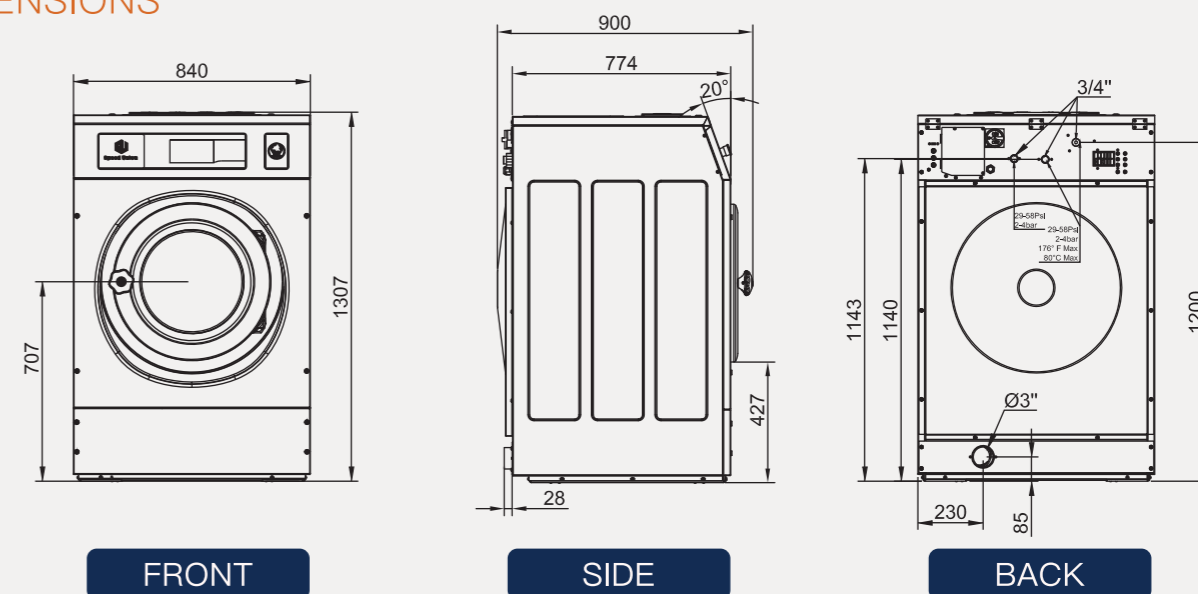
3	Single Tumble Dryer	10
	DTS160	11
	DTS220	12

4	Stack Tumble Dryer	13
	DPD160	14
	DPD220	15

5	Stack Washer Dryer	16
	TP-WD125/160	17
	TP-WD220	18

High Spin Washer Extractor 12.5/16 KG

DIMENSIONS



High Spin Washer Extractor (Soft Mount)

- The washer is equipped with heavy duty frame and bearings, durable bearing housing, spider and shaft to reduce wear and tear greatly.
- The washer has automatic water mixer, which means mixing hot and cold water to a precise temperature with the programmed water level, save energy and reduce wash cycle time.
- Advanced inverter drive system and special heavy duty motor are used to provide smooth and reliable performance.
- It has better balance control system to ensure smooth running and reduce wash time and save energy.
- It has upfront soap box and detergent inlets to connect dosing system for easier access and use.
- High spinning speed can reach to 330G-factor that removes more water to reduce drying time and save energy, and bolting down is not required.
- Double safety door lock system ensures safe operation and minimizes the risk of accidents.
- Multiple heating way and multiple language options is easier for a common user.
- Touch screen and button type controller are both available for customer choice.
- Self-developed software App and remote control system is more convenient for self-service laundry owner and user.



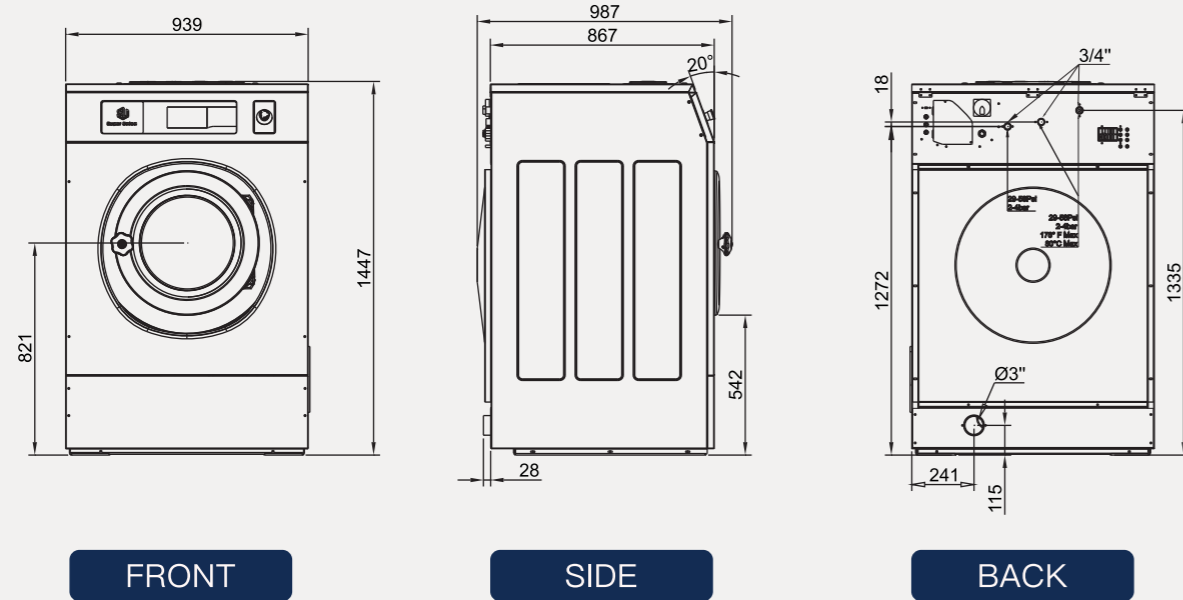
SPECIFICATIONS

Model	TPS125/160
Drum	
Loading capacity (kg) 1:9	15
Loading capacity (kg) 1:10	13.5
Volume (l)	135
Diameter (mm)	650
Depth (mm)	410
Speed	
Washing speed (rpm)	42
Medium spinning speed (rpm)	420
High spinning speed (rpm)	900
G-force	300
Door	
Height center to floor (mm)	707
Height bottom to floor (mm)	427
Diameter (mm)	400
Power	
Motor (kw)	1.85
Heating (kw) (Electric model)	12

Heating way	
Electricity, Steam or hot water	
Connections	
Water inlet (inch)	3/4
Drain diameter (inch)	3
Floor to center of drain (mm)	85
Dimensions	
Width (mm)	840
Depth (mm)	900
Height (mm)	1307
Net weight (kg)	260
Packing dimensions	
Width (mm)	950
Depth (mm)	1010
Height (mm)	1427
Gross weight (kg)	280
Others	
Self-service version (Yes, No)	YES

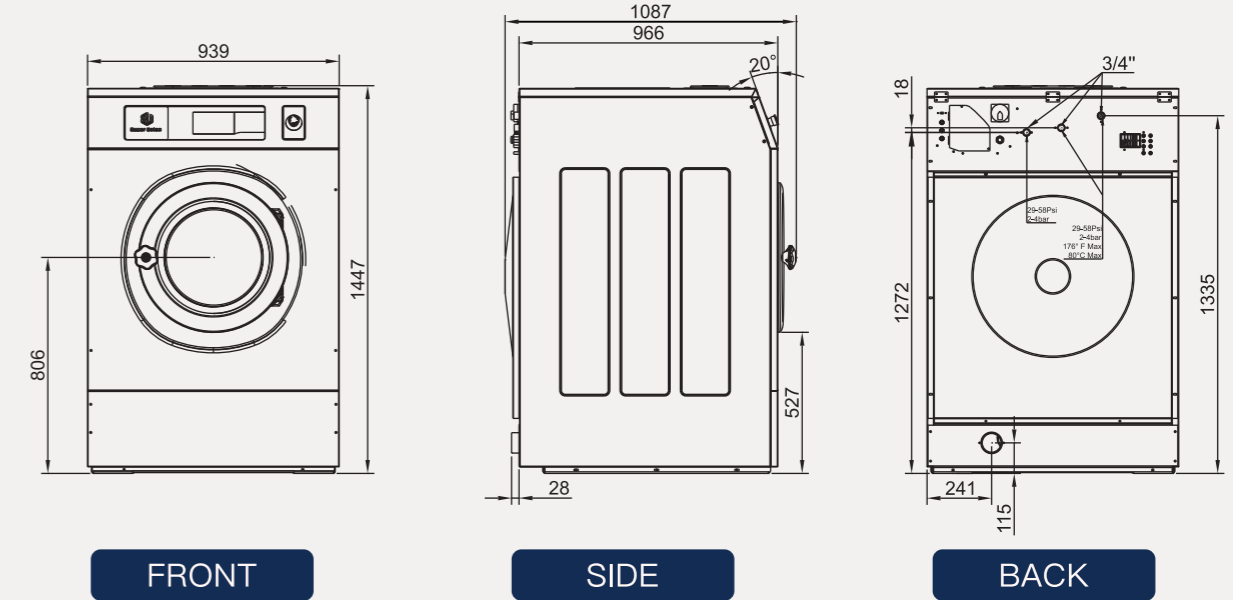
High Spin Washer Extractor 22KG

DIMENSIONS



High Spin Washer Extractor 25KG

DIMENSIONS



SPECIFICATIONS

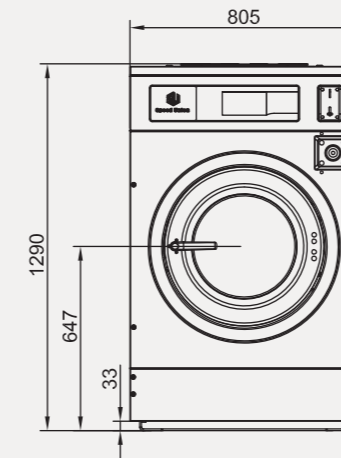
Model	TPS220	
Drum		
Loading capacity (kg) 1:9	20	
Loading capacity (kg) 1:10	18	
Volume (l)	185	
Diameter (mm)	750	
Depth (mm)	450	
Speed		
Washing speed (rpm)	32	
Medium spinning speed (rpm)	420	
High spinning speed (rpm)	850	
G-force	300	
Door		
Height center to floor (mm)	821	
Height bottom to floor (mm)	542	
Diameter (mm)	430	
Power		
Motor (kw)	3	
Heating (kw) (Electric model)	16	
Heating way	Electricity, Steam or hot water	
Connections		
Water inlet (inch)	3/4	
Drain diameter (inch)	3	
Floor to center of drain (mm)	115	
Dimensions		
Width (mm)	939	
Depth (mm)	987	
Height (mm)	1447	
Net weight (kg)	360	
Packing dimensions		
Width (mm)	1049	
Depth (mm)	1097	
Height (mm)	1567	
Gross weight (kg)	380	
Others		
Self-service version (Yes, No)	YES	

SPECIFICATIONS

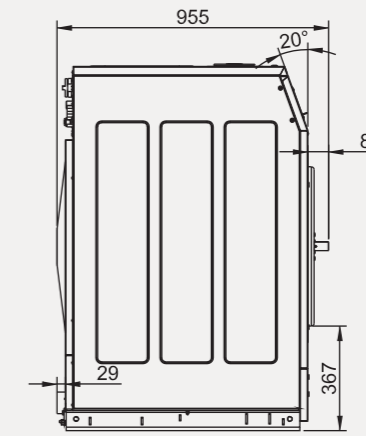
Model	TPS250	
Drum		
Loading capacity (kg) 1:9	25	
Loading capacity (kg) 1:10	24	
Volume (l)	240	
Diameter (mm)	750	
Depth (mm)	550	
Speed		
Washing speed (rpm)	32	
Medium spinning speed (rpm)	420	
High spinning speed (rpm)	850	
G-force	300	
Door		
Height center door (mm)	806	
Height bottom to floor (mm)	527	
Diameter (mm)	430	
Power		
Motor (kw)	3	
Heating (kw) (Electric model)	20	
Heating way	Electricity, Steam or hot water	
Connections		
Water inlet (inch)	3/4	
Drain diameter (inch)	3	
Floor to center of drain (mm)	115	
Dimensions		
Width (mm)	939	
Depth (mm)	1087	
Height (mm)	1447	
Net weight (kg)	410	
Packing dimensions		
Width (mm)	1049	
Depth (mm)	1197	
Height (mm)	1567	
Gross weight (kg)	430	
Others		
Self-service version (Yes, No)	YES	

Fast Spin Washer Extractor 12.5/16 KG

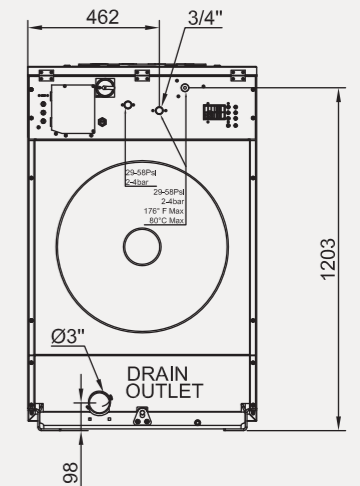
DIMENSIONS



FRONT



SIDE



BACK

Fast Spin Washer Extractor (Hard Mount)

- The washer is manufactured in stainless steel tub, drum, top, front and side panels, which gives better elegant look and provides better quality.
- The washer is equipped with heavy duty frame and bearings, durable bearing housing, spider and shaft to reduce wear and tear greatly.
- The washer has automatic water mixer, which means mixing hot and cold water to a precise temperature with the programmed water level, save energy and reduce wash cycle time.
- Advanced inverter drive system and special heavy duty motor are used to provide smooth and reliable performance.
- It has better balance control system to ensure smooth running and reduce wash time and save energy.
- It has upfront soap box and detergent inlets to connect dosing system for easier access and use.
- High spinning speed can reach to 140G-factor that removes more water to reduce drying time and save energy, quiet performance to reduce sound and vibration levels.
- Double safety door lock system ensures safe operation and minimizes the risk of accidents.
- Multiple language options is easier for a common user.
- Touch screen and button type controller are both available for customer choice.
- Self-developed software App and remote control system is more convenient for self-service laundry owner and user.

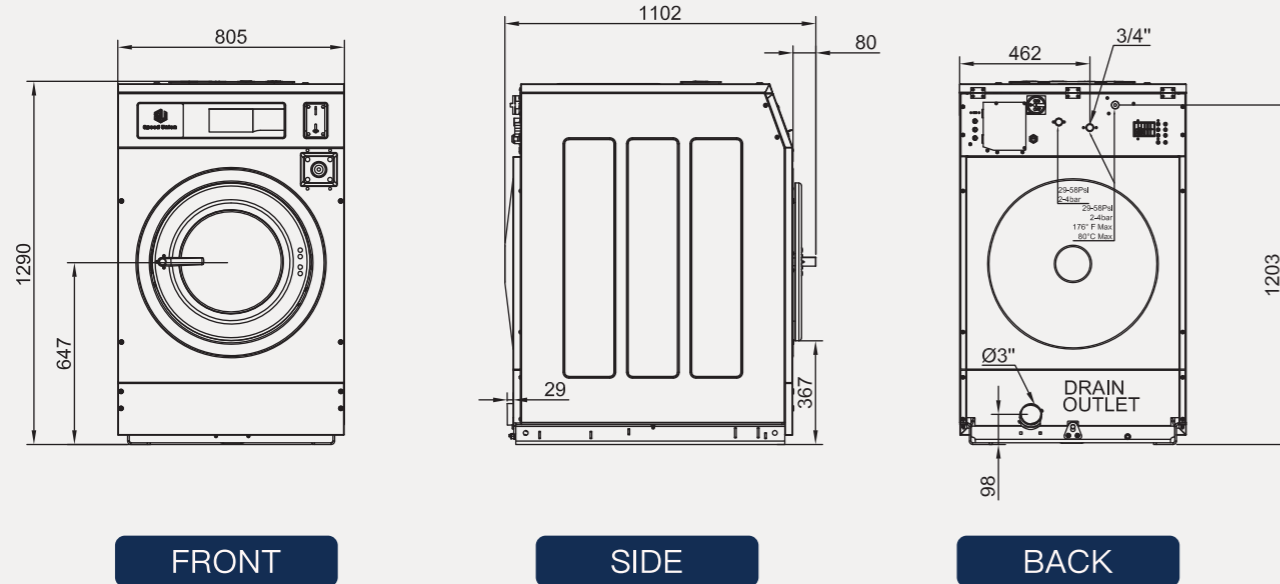


SPECIFICATIONS

Model		TPH125/160
Drum		
Loading capacity (kg) 1:9		15
Loading capacity (kg) 1:10		13.5
Volume (l)		135
Diameter (mm)		650
Depth (mm)		410
Speed		
Washing speed (rpm)		32
Medium spinning speed (rpm)		420
High spinning speed (rpm)		700
G-force		200
Door		
Height center to floor (mm)		647
Height bottom to floor (mm)		367
Diameter (mm)		400
Power		
Motor (kw)		1.85
Heating (kw) (Electric model)		12
Heating way		
Electricity, Steam or hot water		
Connections		
Water inlet (inch)		3/4
Drain diameter (inch)		3
Floor to center of drain (mm)		98
Dimensions		
Width (mm)		805
Depth (mm)		955
Height (mm)		1290
Net weight (kg)		250
Packing dimensions		
Width (mm)		915
Depth (mm)		1065
Height (mm)		1410
Gross weight (kg)		270
Others		
Self-service version (Yes, No)		YES

Fast Spin Washer Extractor 22KG

DIMENSIONS



SPECIFICATIONS

Model TPH220

Drum

Loading capacity (kg) 1:9	20
Loading capacity (kg) 1:10	18
Volume (l)	179
Diameter (mm)	650
Depth (mm)	544

Speed

Washing speed (rpm)	32
Medium spinning speed (rpm)	420
High spinning speed (rpm)	700
G-force	200

Door

Height center to floor (mm)	647
Height bottom to floor (mm)	367
Diameter (mm)	400

Power

Motor (kw)	1.85
Heating (kw) (Electric model)	12

Heating way

Electricity, Steam or hot water

Connections

Water inlet (inch)	3/4
Drain diameter (inch)	3
Floor to center of drain (mm)	98

Dimensions

Width (mm)	805
Depth (mm)	1102
Height (mm)	1290
Net weight (kg)	261

Packing dimensions

Width (mm)	915
Depth (mm)	1212
Height (mm)	1410
Gross weight (kg)	290

Others

Self-service version (Yes, No)	Yes
--------------------------------	-----

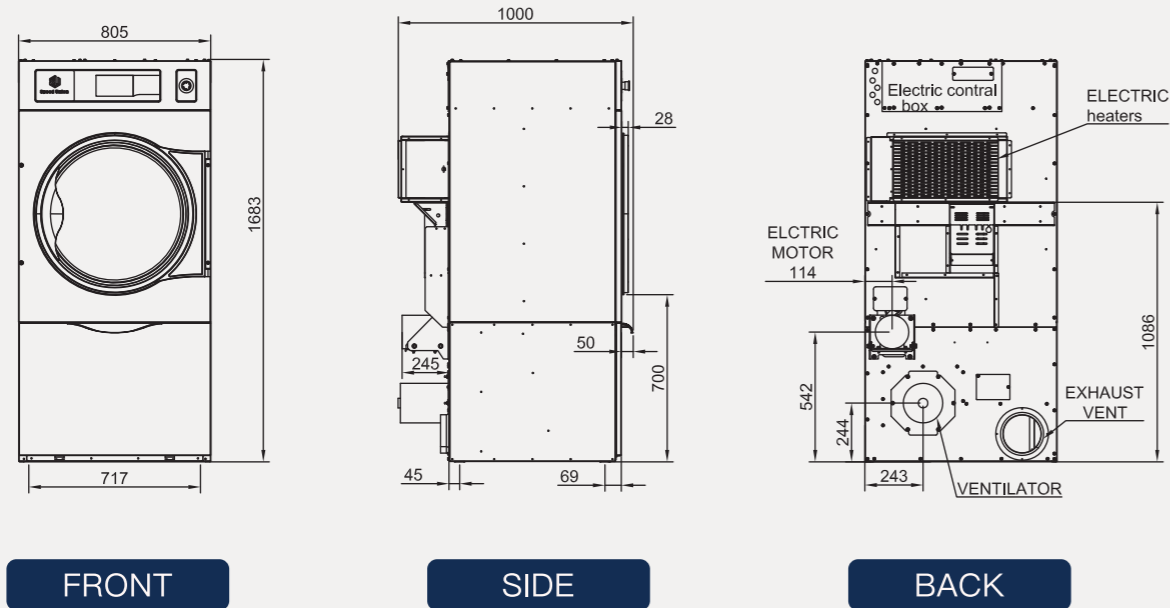
Single Tumble Dryer

- The dryer is manufactured in stainless steel tub, drum, top, front and side panels, which gives better elegant look and provides better quality.
- The dryer is equipped with heavy duty frame, bearing, shaft to reduce wear and tear greatly.
- The new system of mixed axial-radial air-flow increases the efficiency of the whole drying process.
- Honeycomb structure of inner drum can reach more working efficiency and drying quality.
- Large door opening is convenient for loading and unloading.
- Multiple heating way is available for different environments use.
- Large and easy lint collector simplifies clean up.
- Touch screen and button type controller are both available for customer choice.
- Self-developed software App and remote control system is more convenient for self-service laundry owner and user.



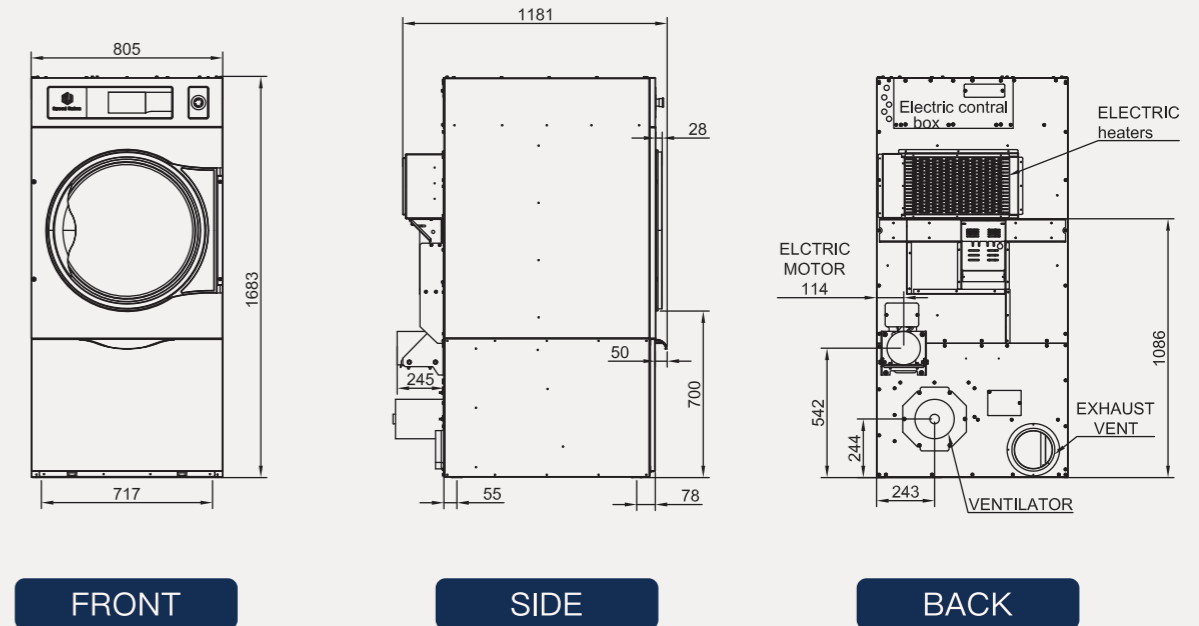
Single Tumble Dryer 16KG

DIMENSIONS



Single Tumble Dryer 22KG

DIMENSIONS



SPECIFICATIONS

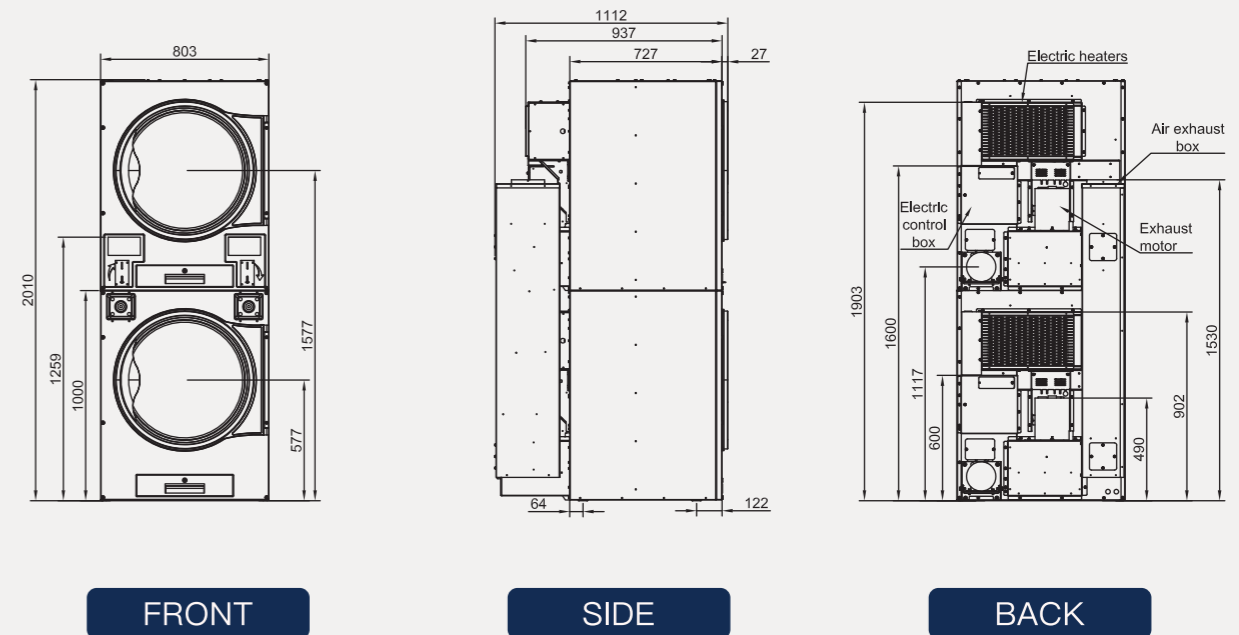
Model	DTS160	
Drum		
Loading capacity (kg) 1:18	16	
Loading capacity (kg) 1:20	14.5	
Volume (l)	290	
Diameter (mm)	760	
Depth (mm)	665	
Speed		
Tumbler speed (rpm)	32	
Door		
Floor to door bottom (mm)	700	
Diameter (mm)	620	
Power		
Motor (kw)	0.37	
Fan (kw)	0.37	
Heating (kw) (Electric model)	10.5	
Heating way		
Electricity, Steam or Gas		
Connections		
Gas inlet (inch) (Gas model)	1/2	
Exhaust (inch)	6	
Dimensions		
Width (mm)	805	
Depth (mm)	1000	
Height (mm)	1683	
Net weight (kg)	150	
Packing dimensions		
Width (mm)	915	
Depth (mm)	1110	
Height (mm)	1803	
Gross weight (kg)	170	
Others		
Self-service version (Yes, No)	YES	

SPECIFICATIONS

Model	DTS220	
Drum		
Loading capacity (kg) 1:18	20	
Loading capacity (kg) 1:20	18	
Volume (l)	363	
Diameter (mm)	760	
Depth (mm)	800	
Speed		
Tumbler speed (rpm)	32	
Door		
Floor to door bottom (mm)	700	
Diameter (mm)	620	
Power		
Motor (kw)	0.37	
Fan (kw)	0.37	
Heating (kw) (Electric model)	13.5	
Heating way		
Electricity, Steam or Gas		
Connections		
Gas inlet (inch) (Gas model)	1/2	
Exhaust (inch)	6	
Dimensions		
Width (mm)	805	
Depth (mm)	1181	
Height (mm)	1683	
Net weight (kg)	197	
Packing dimensions		
Width (mm)	915	
Depth (mm)	1291	
Height (mm)	1803	
Gross weight (kg)	217	
Others		
Self-service version (Yes, No)	YES	

Stack Tumble Dryer 16KG

DIMENSIONS



Stack Tumble Dryer

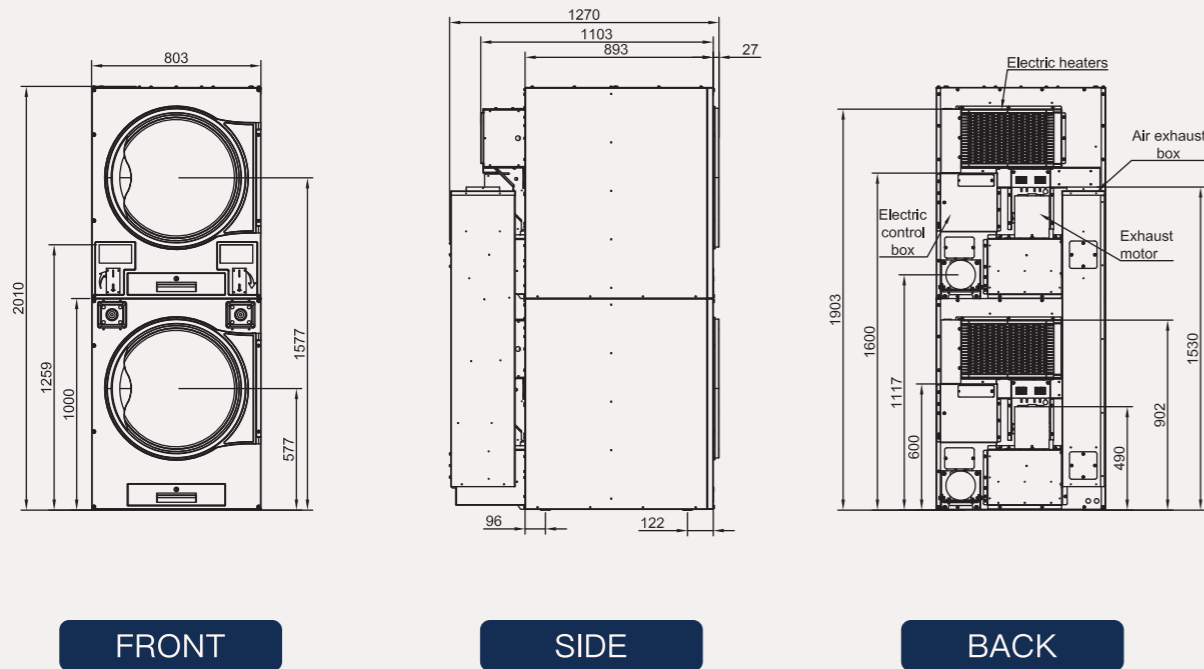
- The dryer is manufactured in stainless steel tub, drum, top, front and side panels, which gives better elegant look and provides better quality.
- The dryer is equipped with heavy duty frame, bearing, shaft to reduce wear and tear greatly.
- The new system of mixed axial-radial air-flow increases the efficiency of the whole drying process.
- Honeycomb structure of inner drum can reach more working efficiency and drying quality.
- Large door opening is convenient for loading and unloading.
- Multiple heating way is available for different environments use.
- Large and easy lint collector simplifies clean up.
- Stack type design saves more space.
- Touch screen and button type controller are both available for customer choice
- Self-developed software App and remote control system is more convenient for self-service laundry owner and user.

SPECIFICATIONS

Model	DPD160	
Drum		
Loading capacity (kg) 1:18	2x16	
Loading capacity (kg) 1:20	2x14.5	
Volume (l)	2x290	
Diameter (mm)	760	
Depth (mm)	640	
Speed		
Tumbler speed (rpm)	32	
Door		
Floor to lower door bottom (mm)	230	
Floor to upper door bottom (mm)	1230	
Diameter (mm)	620	
Power		
Motor (kw)	2x0.37	
Fan (kw)	2x0.37	
Heating (kw) (Electric model)	2x10.5	
Heating way		
Electricity, Steam or Gas		
Connections		
Gas inlet (inch) (Gas model)	1/2	
Exhaust (inch)	6	
Dimensions		
Width (mm)	803	
Depth (mm)	1112	
Height (mm)	2010	
Net weight (kg)	255	
Packing dimensions		
Width (mm)	913	
Depth (mm)	1222	
Height (mm)	2120	
Gross weight (kg)	275	
Others		
Self-service version (Yes, No)	YES	

Stack Tumble Dryer 22KG

DIMENSIONS



SPECIFICATIONS

Model	DPD220	
Drum		
Loading capacity (kg) 1:18	2x20	
Loading capacity (kg) 1:20	2x18	
Volume (l)	2x363	
Diameter (mm)	760	
Depth (mm)	800	
Speed		
Tumbler speed (rpm)	32	
Door		
Floor to lower door bottom (mm)	236	
Floor to upper door bottom (mm)	1235	
Diameter(mm)	620	
Power		
Motor (kw)	2x0.37	
Fan (kw)	2x0.37	
Heating (kw) (Electric model)	2x13.5	
Heating way		
Electricity, Steam or Gas		
Connections		
Gas inlet (inch) (Gas model)	1/2	
Exhaust (inch)	6	
Dimensions		
Width (mm)	803	
Depth (mm)	1317	
Height (mm)	2010	
Net weight (kg)	325	
Packing dimensions		
Width (mm)	913	
Depth (mm)	1430	
Height (mm)	2130	
Gross weight (kg)	355	
Others		
Self-service version (Yes, No)		

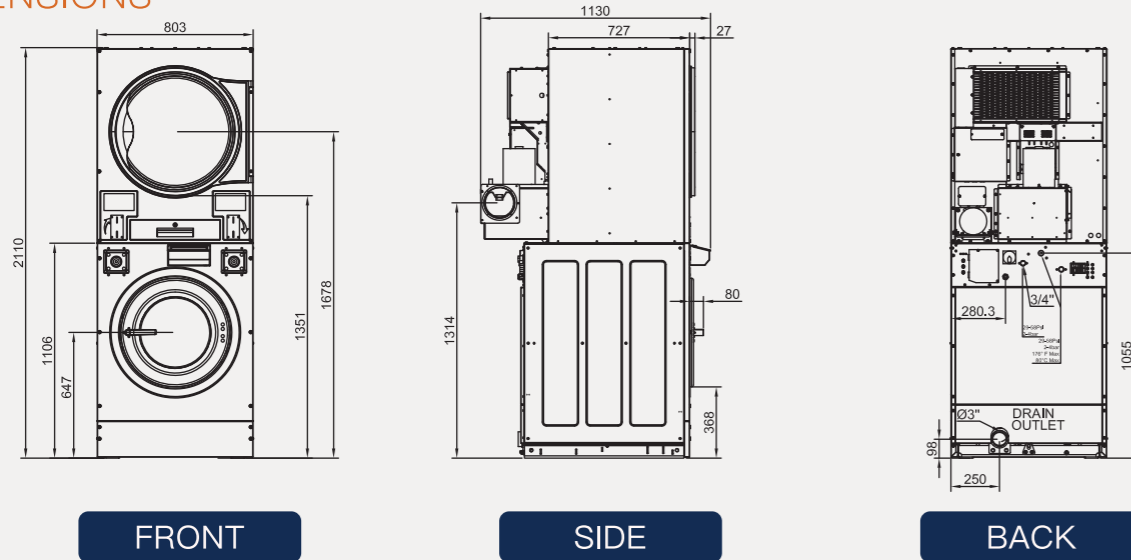


Stack Washer Dryer

- The machine is manufactured in stainless steel drum, top, front and side panels, which gives better elegant look and provides better quality.
- The machine is equipped with heavy duty frame and bearings, durable bearing housing, spider and shaft to reduce wear and tear greatly.
- The washer has automatic water mixer, which means mixing hot and cold water to a precise temperature with the programmed water level, save energy and reduce wash cycle time.
- Advanced inverter drive system and special heavy duty motor are used to provide smooth and reliable performance.
- The new system of mixed axial-radial air-flow increases the efficiency of the whole drying process.
- Large door opening is convenient for loading and unloading.
- Multiple heating way and multiple language options is easier for a common user.
- Touch screen and button type controller are both available for customer choice.
- Stack type design saves more space.
- Self-developed software App and remote control system is more convenient for self-service laundry owner and user.

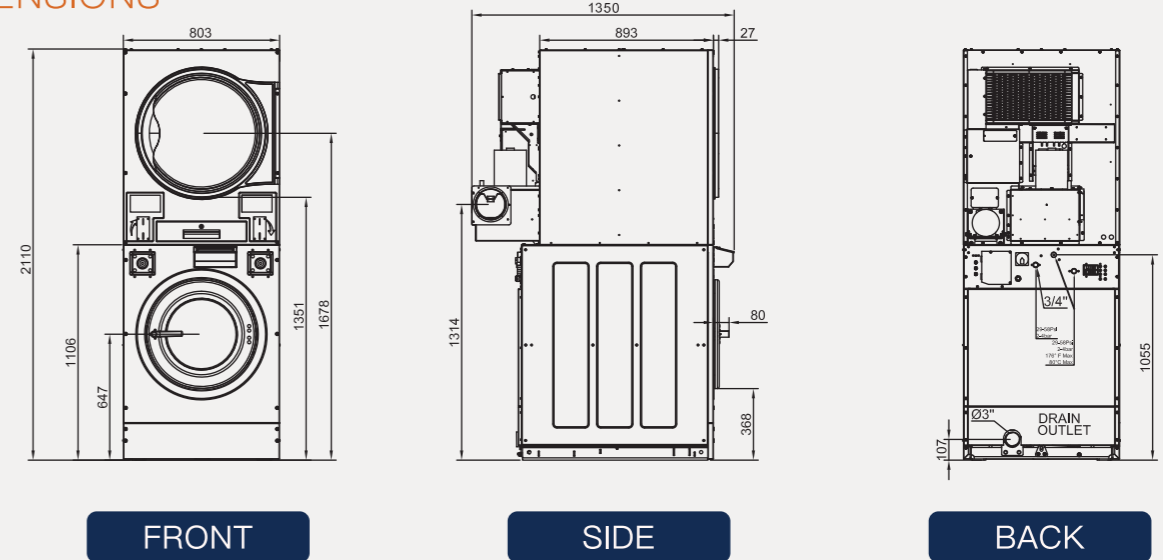
Stack Washer Dryer 12.5/16KG

DIMENSIONS



Stack Washer Dryer 22KG

DIMENSIONS



SPECIFICATIONS

Model TP-WD125/160

Washer Drum		Power	
Loading capacity (kg) 1:9	15	Washer motor (kw)	1.85
Loading capacity (kg) 1:10	13.5	Dryer motor (kw)	0.37
Volume (l)	135	Dryer fan motor (kw)	0.37
Diameter (mm)	650	Dryer heating (kw) (Electric model)	10.5
Depth (mm)	410	Heating way	
Dryer Drum		Dryer (Electricity, Steam, Gas)	
Loading capacity (kg) 1:18	16	Connections	
Loading capacity (kg) 1:20	14.5	Washer water inlet (inch)	3/4
Volume (l)	290	Drain diameter (inch)	3
Diameter (mm)	760	Dryer gas inlet (inch)	1/2
Depth (mm)	640	Dimensions	
Washer Speed		Width (mm)	803
Washing speed (rpm)	32	Depth (mm)	1130
Mediate spinning speed (rpm)	420	Height (mm)	2110
High spinning speed (rpm)	700	Net weight (kg)	350
G-force	200	Packing dimensions	
Dryer Speed		Width (mm)	913
Tumbler speed (rpm)	32	Depth (mm)	1240
Door		Height (mm)	2230
Washer height center to floor (mm)	647	Gross weight (kg)	370
Washer height bottom to floor (mm)	368	Others	
Washer diameter (mm)	400	Self-service version (Yes, No)	YES
Dryer height center to floor (mm)	1678		
Dryer height bottom to floor (mm)	1351		
Dryer diameter (mm)	620		

SPECIFICATIONS

Model TP-WD220

Washer Drum		Power	
Loading capacity (kg) 1:9	20	Washer motor (kw)	1.85
Loading capacity (kg) 1:10	18	Dryer motor (kw)	0.37
Volume (l)	180	Dryer fan motor (kw)	0.37
Diameter (mm)	650	Dryer heating (kw) (Electric model)	13.5
Depth (mm)	544	Heating way	
Dryer Drum		Dryer (Electricity, Steam, Gas)	
Loading capacity (kg) 1:18	20	Connections	
Loading capacity (kg) 1:20	18	Washer water inlet (inch)	3/4
Volume (l)	363	Drain diameter (inch)	3
Diameter (mm)	760	Dryer gas inlet (inch)	1/2
Depth (mm)	800	Dimensions	
Washer Speed		Width (mm)	803
Washing speed (rpm)	32	Depth (mm)	1404
Mediate spinning speed (rpm)	420	Height (mm)	2110
High spinning speed (rpm)	700	Net weight (kg)	450
G-force	200	Packing dimensions	
Dryer Speed		Width (mm)	913
Tumbler speed (rpm)	32	Depth (mm)	1525
Door		Height (mm)	2230
Washer height center to floor (mm)	647	Gross weight (kg)	470
Washer height bottom to floor (mm)	368	Others	
Washer diameter (mm)	400	Self-service version (Yes, No)	YES
Dryer height center to floor (mm)	1678		
Dryer height bottom to floor (mm)	1351		
Dryer diameter (mm)	620		