

## Professional Laundry Systems

**TONY+**  
**PATRICK**

**International Department**

Website: [www.brownywash.com](http://www.brownywash.com)

Email: [sales@brownywash.com](mailto:sales@brownywash.com)

Office: (+66) 02-453-2375

Sales: (+66) 091-836-6579, 080-262-6199

Address: **AB Innovations Ltd.**

112/6 Soi Thian Talay 20, Samdam  
Bangkhuntien, Bangkok 10150  
Thailand

[www.brownywash.com](http://www.brownywash.com)



# CONTENTS



TONY+PATRICK is a professional laundry system equipment manufacturer. Focusing on innovation, efficiency, and savings, TONY+PATRICK is widely recognized as one of the best partners for laundromat operators.

TONY+PATRICK is always leading ahead of the industry using our ECO-ENERGY technology. As a result, our machines are more energy-efficient and eco-friendly for people, the planet, and the profit of all partners.

TONY+PATRICK  
Here for You



<b>1</b>	<b>High Spin Washer (Soft Mount)</b>	<b>03</b>
	TPS125/160	04
	TPS220	05
	TPS250	06

<b>2</b>	<b>Fast Spin Washer (Hard Mount)</b>	<b>07</b>
	TPH125/160	08
	TPH220	09

<b>4</b>	<b>Stack Tumble Dryer</b>	<b>13</b>
	DPD160	14
	DPD220	15

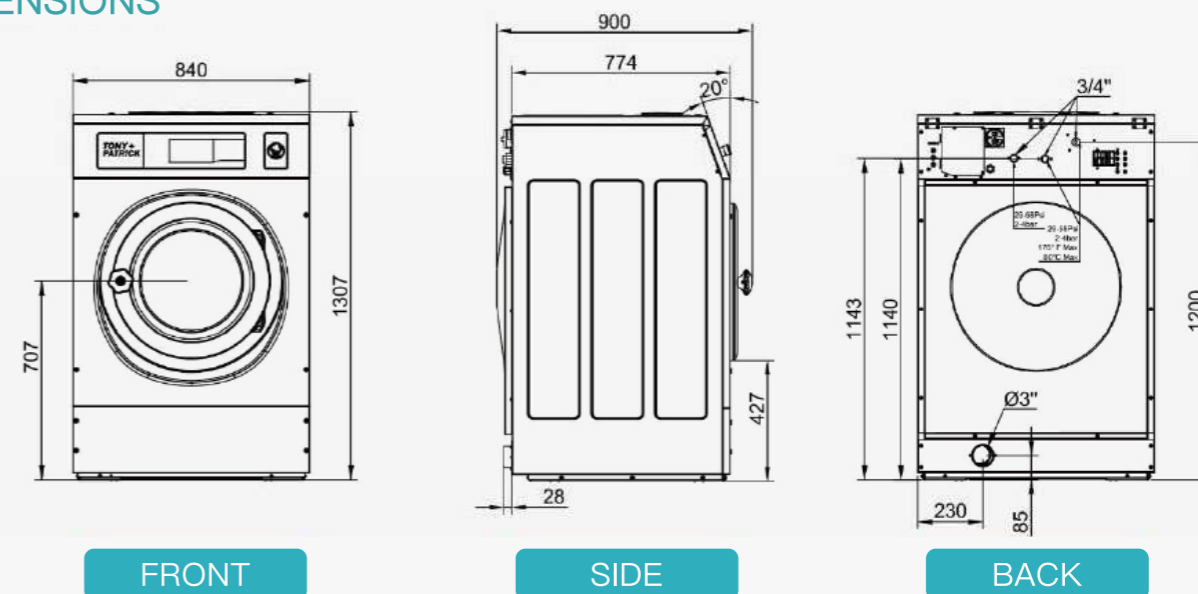
<b>3</b>	<b>Single Tumble Dryer</b>	<b>10</b>
	DTS160	11
	DTS220	12

<b>5</b>	<b>Stack Washer Dryer</b>	<b>16</b>
	TP-WD125/160	17
	TP-WD220	18



## High Spin Washer Extractor 12.5/16 KG

### DIMENSIONS



### High Spin Washer Extractor (Soft Mount)

- The washer is equipped with heavy duty frame and bearings, durable bearing housing, spider and shaft to reduce wear and tear greatly.
- The washer has automatic water mixer, which means mixing hot and cold water to a precise temperature with the programmed water level, save energy and reduce wash cycle time.
- Advanced inverter drive system and special heavy duty motor are used to provide smooth and reliable performance.
- It has better balance control system to ensure smooth running and reduce wash time and save energy.
- It has upfront soap box and detergent inlets to connect dosing system for easier access and use.
- High spinning speed can reach to 330G-factor that removes more water to reduce drying time and save energy, and bolting down is not required.
- Double safety door lock system ensures safe operation and minimizes the risk of accidents.
- Multiple heating way and multiple language options is easier for a common user.
- Touch screen and button type controller are both available for customer choice.
- Self-developed software App and remote control system is more convenient for self-service laundry owner and user.



### SPECIFICATIONS

Model **TPS125/160**

#### Drum

Loading capacity (kg) 1:9	12.5/16
Loading capacity (kg) 1:10	11/15
Volume (l)	135
Diameter (mm)	650
Depth (mm)	410

#### Speed

Washing speed (rpm)	42
Medium spinning speed (rpm)	420
High spinning speed (rpm)	900
G-force	300

#### Door

Height center to floor (mm)	707
Height bottom to floor (mm)	427
Diameter (mm)	400

#### Power

Motor (kw)	1.85
Heating (kw) (Electric model)	12

#### Heating way

Electricity, Steam or hot water

#### Connections

Water inlet (inch)	3/4
Drain diameter (inch)	3
Floor to center of drain (mm)	85

#### Dimensions

Width (mm)	840
Depth (mm)	900
Height (mm)	1307
Net weight (kg)	260

#### Packing dimensions

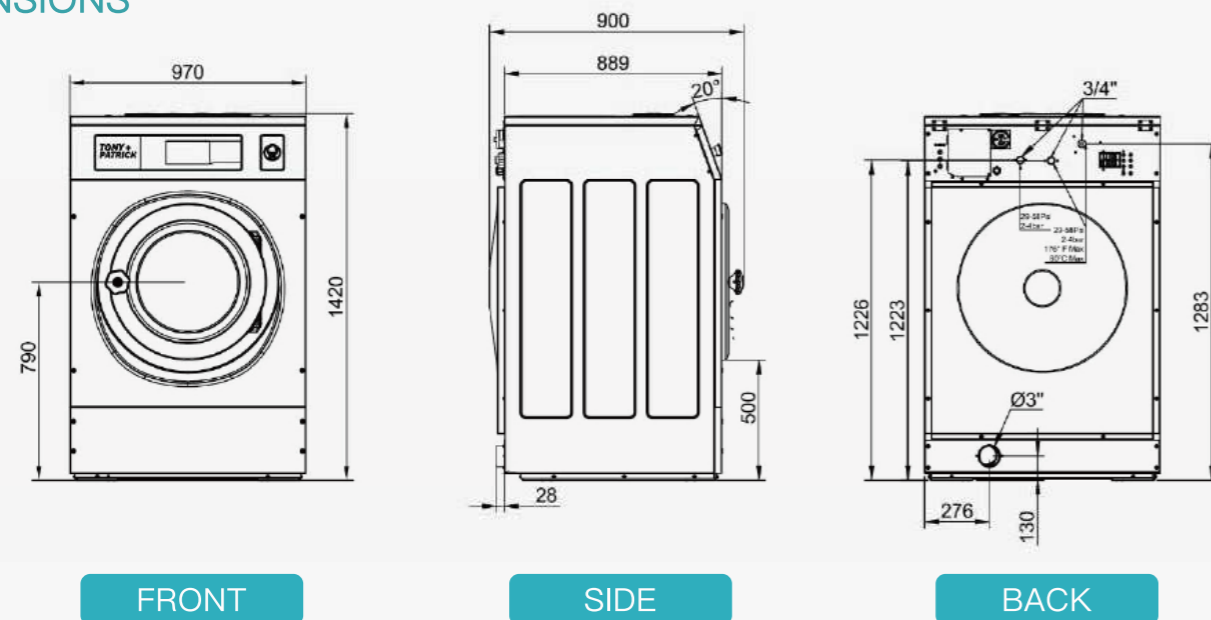
Width (mm)	950
Depth (mm)	1010
Height (mm)	1427
Gross weight (kg)	280

#### Others

Self-service version (Yes, No)	YES
--------------------------------	-----

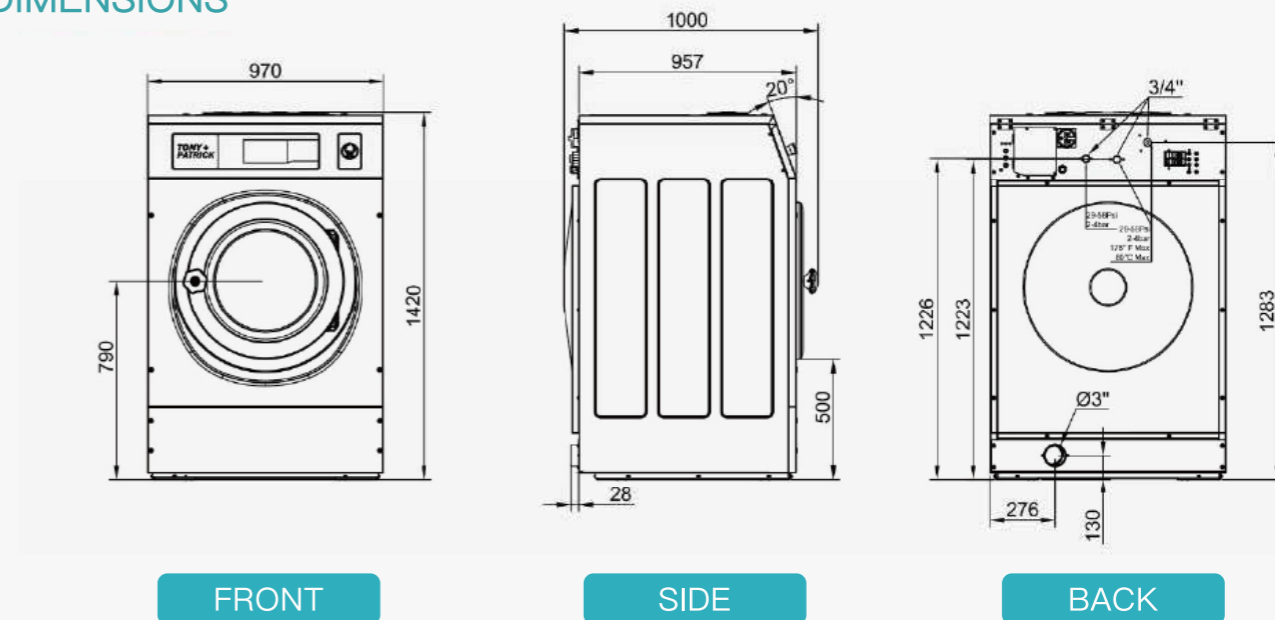
## High Spin Washer Extractor 22KG

### DIMENSIONS



## High Spin Washer Extractor 25KG

### DIMENSIONS



### SPECIFICATIONS

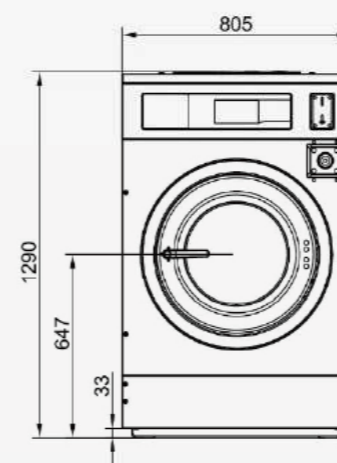
Model	TPS220	
<b>Drum</b>		
Loading capacity (kg) 1:9	22	
Loading capacity (kg) 1:10	20	
Volume (l)	185	
Diameter (mm)	750	
Depth (mm)	420	
<b>Speed</b>		
Washing speed (rpm)	32	
Medium spinning speed (rpm)	420	
High spinning speed (rpm)	850	
G-force	300	
<b>Door</b>		
Height center to floor (mm)	790	
Height bottom to floor (mm)	500	
Diameter (mm)	430	
<b>Power</b>		
Motor (kw)	3	
Heating (kw) (Electric model)	16	
<b>Heating way</b>	Electricity, Steam or hot water	
<b>Connections</b>		
Water inlet (inch)	3/4	
Drain diameter (inch)	3	
Floor to center of drain (mm)	130	
<b>Dimensions</b>		
Width (mm)	970	
Depth (mm)	900	
Height (mm)	1420	
Net weight (kg)	360	
<b>Packing dimensions</b>		
Width (mm)	1080	
Depth (mm)	1010	
Height (mm)	1540	
Gross weight (kg)	380	
<b>Others</b>		
Self-service version (Yes, No)	YES	

### SPECIFICATIONS

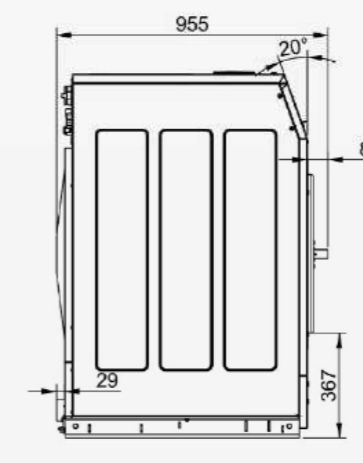
Model	TPS250	
<b>Drum</b>		
Loading capacity (kg) 1:9	25	
Loading capacity (kg) 1:10	24	
Volume (l)	240	
Diameter (mm)	750	
Depth (mm)	550	
<b>Speed</b>		
Washing speed (rpm)	32	
Medium spinning speed (rpm)	420	
High spinning speed (rpm)	850	
G-force	300	
<b>Door</b>		
Height center door (mm)	790	
Height bottom to floor (mm)	500	
Diameter (mm)	430	
<b>Power</b>		
Motor (kw)	3	
Heating (kw) (Electric model)	20	
<b>Heating way</b>	Electricity, Steam or hot water	
<b>Connections</b>		
Water inlet (inch)	3/4	
Drain diameter (inch)	3	
Floor to center of drain (mm)	130	
<b>Dimensions</b>		
Width (mm)	970	
Depth (mm)	1000	
Height (mm)	1420	
Net weight (kg)	410	
<b>Packing dimensions</b>		
Width (mm)	1080	
Depth (mm)	1110	
Height (mm)	1540	
Gross weight (kg)	430	
<b>Others</b>		
Self-service version (Yes, No)	YES	

## Fast Spin Washer Extractor 12.5/16 KG

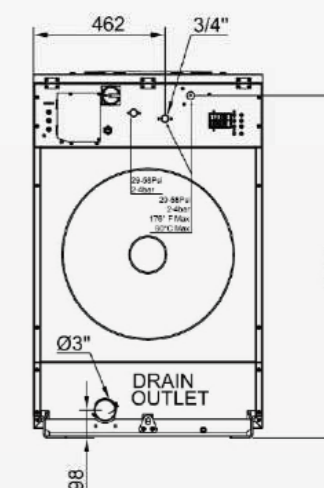
### DIMENSIONS



FRONT



SIDE



BACK

### Fast Spin Washer Extractor (Hard Mount)

- The washer is manufactured in stainless steel tub, drum, top, front and side panels, which gives better elegant look and provides better quality.
- The washer is equipped with heavy duty frame and bearings, durable bearing housing, spider and shaft to reduce wear and tear greatly.
- The washer has automatic water mixer, which means mixing hot and cold water to a precise temperature with the programmed water level, save energy and reduce wash cycle time.
- Advanced inverter drive system and special heavy duty motor are used to provide smooth and reliable performance.
- It has better balance control system to ensure smooth running and reduce wash time and save energy.
- It has upfront soap box and detergent inlets to connect dosing system for easier access and use.
- High spinning speed can reach to 140G-factor that removes more water to reduce drying time and save energy, quiet performance to reduce sound and vibration levels.
- Double safety door lock system ensures safe operation and minimizes the risk of accidents.
- Multiple language options is easier for a common user.
- Touch screen and button type controller are both available for customer choice.
- Self-developed software App and remote control system is more convenient for self-service laundry owner and user.



### SPECIFICATIONS

Model **TPH125/160**

#### Drum

Loading capacity (kg) 1:9	12.5/16
Loading capacity (kg) 1:10	11/15
Volume (l)	135
Diameter (mm)	650
Depth (mm)	410

#### Speed

Washing speed (rpm)	32
Medium spinning speed (rpm)	420
High spinning speed (rpm)	700
G-force	200

#### Door

Height center to floor (mm)	647
Height bottom to floor (mm)	367
Diameter (mm)	400

#### Power

Motor (kw)	1.5
Heating (kw) (Electric model)	8

#### Heating way

Electricity, Steam or hot water

#### Connections

Water inlet (inch)	3/4
Drain diameter (inch)	3
Floor to center of drain (mm)	98

#### Dimensions

Width (mm)	805
Depth (mm)	955
Height (mm)	1290
Net weight (kg)	250

#### Packing dimensions

Width (mm)	915
Depth (mm)	1065
Height (mm)	1410
Gross weight (kg)	270

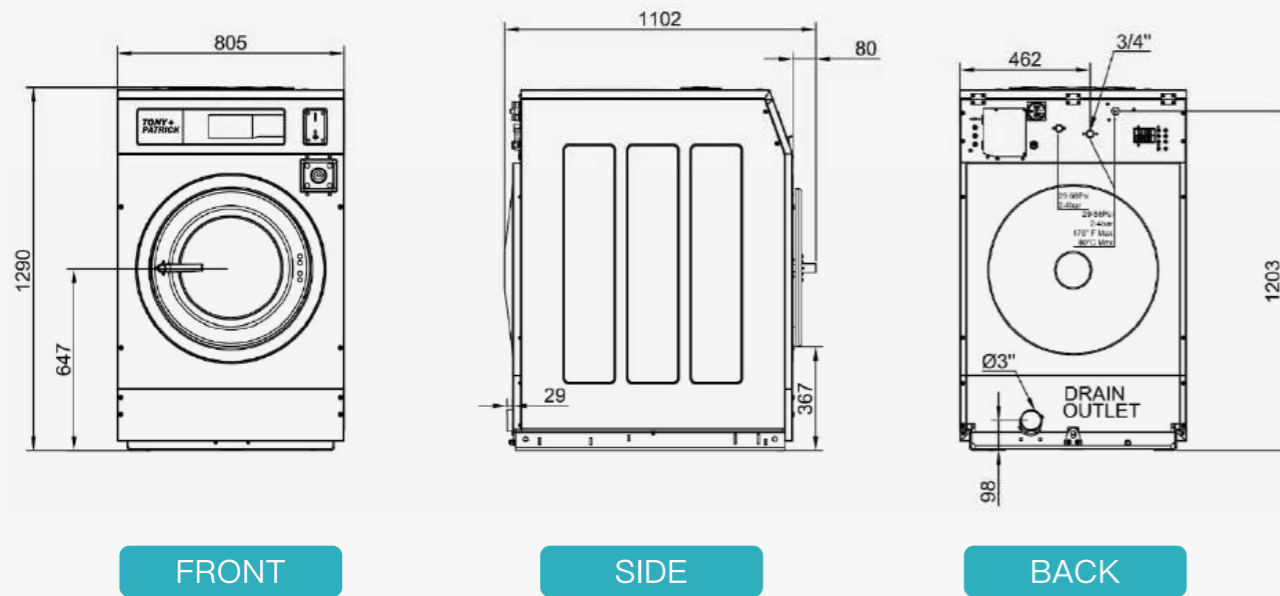
#### Others

Self-service version (Yes, No)	YES
--------------------------------	-----



Fast Spin Washer Extractor 22KG

DIMENSIONS



SPECIFICATIONS

Model **TPH220**

Drum		Heating way	
Loading capacity (kg) 1:9	22	Electricity, Steam or hot water	
Loading capacity (kg) 1:10	20	Connections	
Volume (l)	179	Water inlet (inch)	3/4
Diameter (mm)	650	Drain diameter (inch)	3
Depth (mm)	540	Floor to center of drain (mm)	98
Speed		Dimensions	
Washing speed (rpm)	32	Width (mm)	805
Medium spinning speed (rpm)	420	Depth (mm)	1102
High spinning speed (rpm)	700	Height (mm)	1290
G-force	200	Net weight (kg)	261
Door		Packing dimensions	
Height center to floor (mm)	647	Width (mm)	915
Height bottom to floor (mm)	367	Depth (mm)	1212
Diameter (mm)	400	Height (mm)	1410
Power		Gross weight (kg)	290
Motor (kw)	1.85	Others	
Heating (kw) (Electric model)	12	Self-service version (Yes, No)	Yes

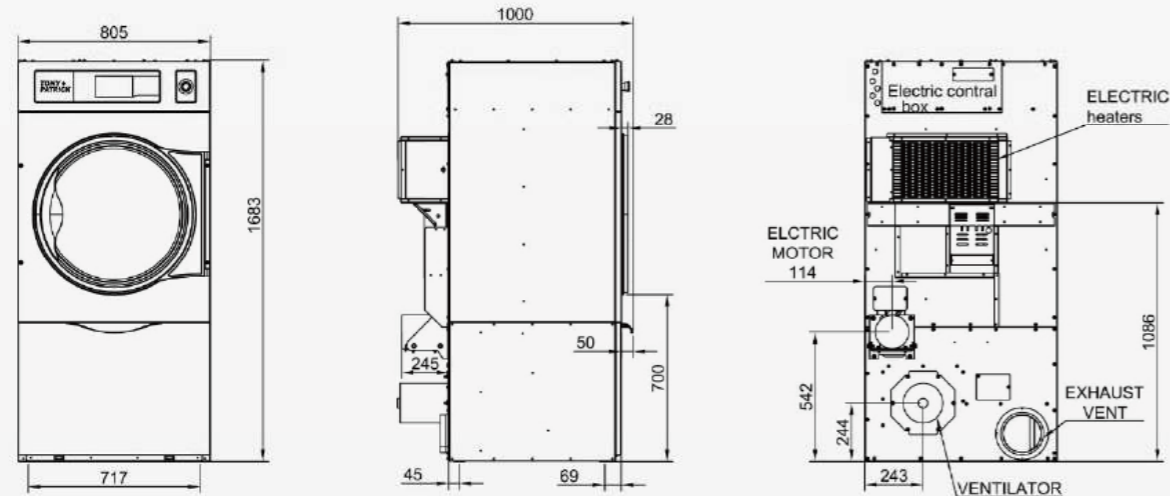


Single Tumble Dryer

- The dryer is manufactured in stainless steel tub, drum, top, front and side panels, which gives better elegant look and provides better quality.
- The dryer is equipped with heavy duty frame, bearing, shaft to reduce wear and tear greatly.
- The new system of mixed axial-radial air-flow increases the efficiency of the whole drying process.
- Honeycomb structure of inner drum can reach more working efficiency and drying quality.
- Large door opening is convenient for loading and unloading.
- Multiple heating way is available for different environments use.
- Large and easy lint collector simplifies clean up.
- Touch screen and button type controller are both available for customer choice.
- Self-developed software App and remote control system is more convenient for self-service laundry owner and user.

## Single Tumble Dryer 16KG

### DIMENSIONS



FRONT

SIDE

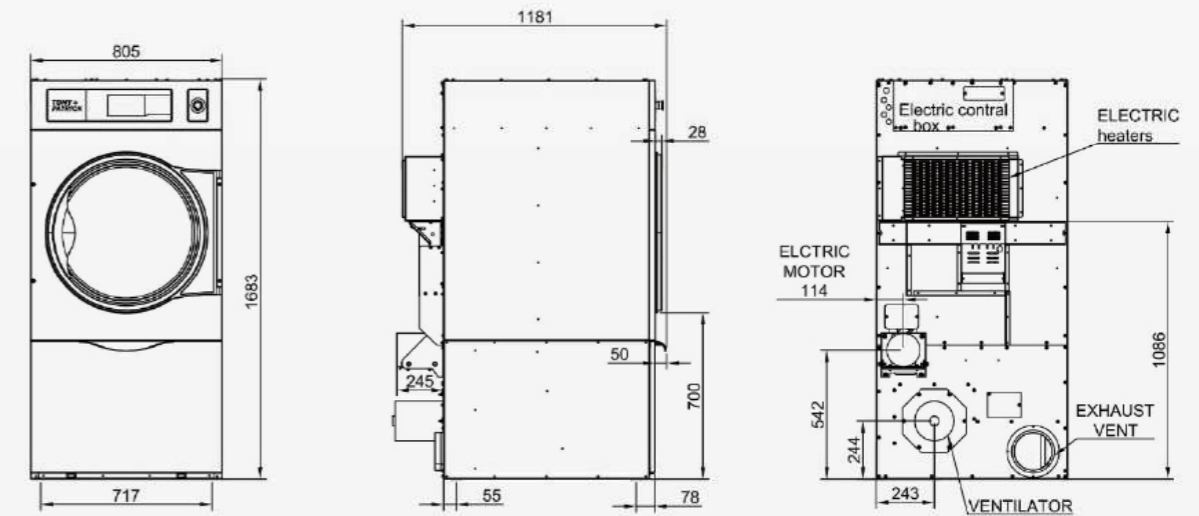
BACK

### SPECIFICATIONS

Model	DTS160	
<b>Drum</b>		
Loading capacity (kg) 1:18	16	
Loading capacity (kg) 1:20	14.5	
Volume (l)	290	
Diameter (mm)	760	
Depth (mm)	665	
<b>Speed</b>		
Tumbler speed (rpm)	32	
<b>Door</b>		
Floor to door bottom (mm)	700	
Diameter (mm)	620	
<b>Power</b>		
Motor (kw)	0.37	
Fan (kw)	0.37	
Heating (kw) (Electric model)	10	
<b>Heating way</b>		
Electricity, Steam or Gas		
<b>Connections</b>		
Gas inlet (inch) (Gas model)	1/2	
Exhaust (inch)	6	
<b>Dimensions</b>		
Width (mm)	805	
Depth (mm)	1000	
Height (mm)	1683	
Net weight (kg)	150	
<b>Packing dimensions</b>		
Width (mm)	915	
Depth (mm)	1110	
Height (mm)	1803	
Gross weight (kg)	170	
<b>Others</b>		
Self-service version (Yes, No)	YES	

## Single Tumble Dryer 22KG

### DIMENSIONS



FRONT

SIDE

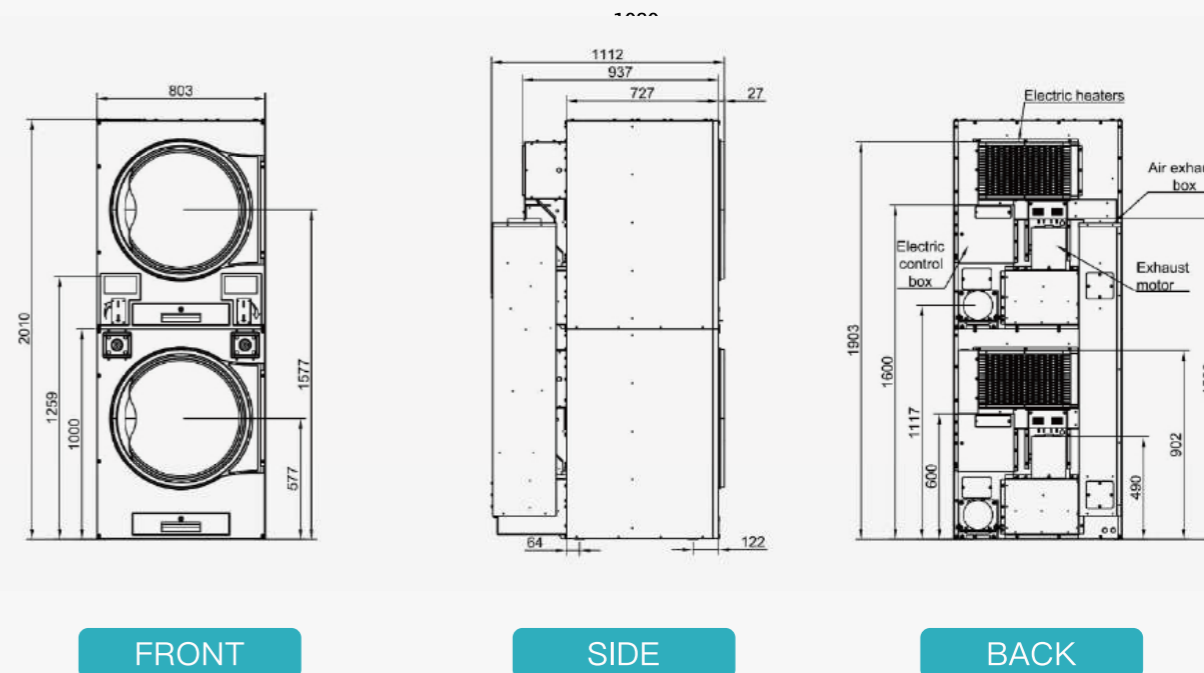
BACK

### SPECIFICATIONS

Model	DTS220	
<b>Drum</b>		
Loading capacity (kg) 1:18	22	
Loading capacity (kg) 1:20	20	
Volume (l)	363	
Diameter (mm)	760	
Depth (mm)	800	
<b>Speed</b>		
Tumbler speed (rpm)	32	
<b>Door</b>		
Floor to door bottom (mm)	700	
Diameter (mm)	620	
<b>Power</b>		
Motor (kw)	0.37	
Fan (kw)	0.37	
Heating (kw) (Electric model)	15	
<b>Heating way</b>		
Electricity, Steam or Gas		
<b>Connections</b>		
Gas inlet (inch) (Gas model)	1/2	
Exhaust (inch)	6	
<b>Dimensions</b>		
Width (mm)	805	
Depth (mm)	1181	
Height (mm)	1683	
Net weight (kg)	197	
<b>Packing dimensions</b>		
Width (mm)	915	
Depth (mm)	1291	
Height (mm)	1803	
Gross weight (kg)	217	
<b>Others</b>		
Self-service version (Yes, No)	YES	

## Stack Tumble Dryer 16KG

### DIMENSIONS



### Stack Tumble Dryer

- The dryer is manufactured in stainless steel tub, drum, top, front and side panels, which gives better elegant look and provides better quality.
- The dryer is equipped with heavy duty frame, bearing, shaft to reduce wear and tear greatly.
- The new system of mixed axial-radial air-flow increases the efficiency of the whole drying process.
- Honeycomb structure of inner drum can reach more working efficiency and drying quality.
- Large door opening is convenient for loading and unloading.
- Multiple heating way is available for different environments use.
- Large and easy lint collector simplifies clean up.
- Stack type design saves more space.
- Touch screen and button type controller are both available for customer choice
- Self-developed software App and remote control system is more convenient for self-service laundry owner and user.

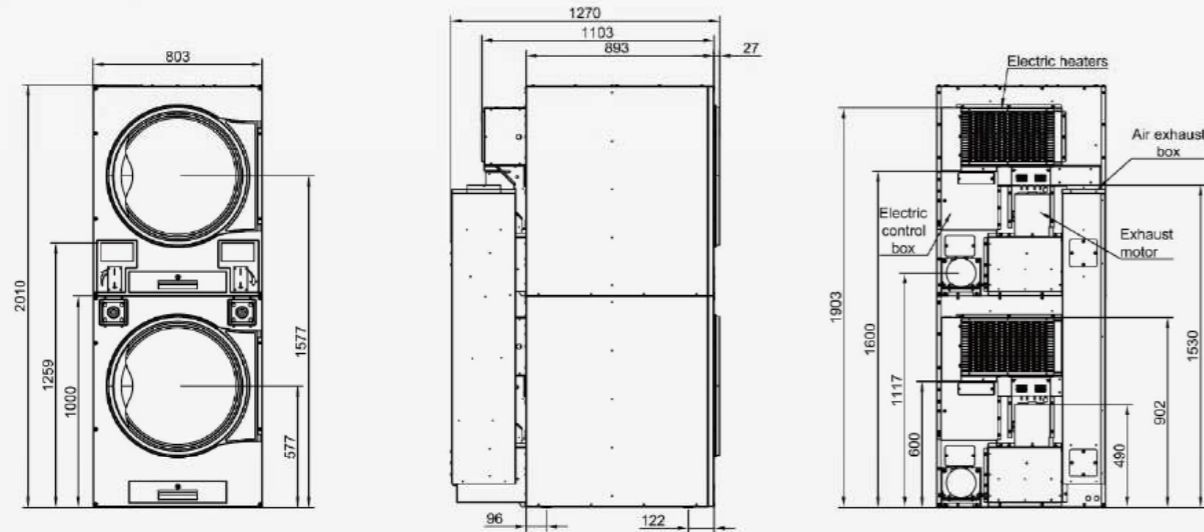
### SPECIFICATIONS

Model		DPD160	
<b>Drum</b>			
Loading capacity (kg) 1:18		2x16	
Loading capacity (kg) 1:20		2x14.5	
Volume (l)		2x290	
Diameter (mm)		760	
Depth (mm)		640	
<b>Speed</b>			
Tumbler speed (rpm)		32	
<b>Door</b>			
Floor to lower door bottom (mm)		230	
Floor to upper door bottom (mm)		1230	
Diameter (mm)		620	
<b>Power</b>			
Motor (kw)		2x0.37	
Fan (kw)		2x0.37	
Heating (kw) (Electric model)		2x10	
<b>Heating way</b>			
Electricity, Steam or Gas			
<b>Connections</b>			
Gas inlet (inch) (Gas model)		1/2	
Exhaust (inch)		6	
<b>Dimensions</b>			
Width (mm)		803	
Depth (mm)		1112	
Height (mm)		2010	
Net weight (kg)		255	
<b>Packing dimensions</b>			
Width (mm)		913	
Depth (mm)		1222	
Height (mm)		2120	
Gross weight (kg)		275	
<b>Others</b>			
Self-service version (Yes, No)		YES	



Stack Tumble Dryer 22KG

DIMENSIONS



FRONT

SIDE

BACK

SPECIFICATIONS

Model **DPD220**

**Drum**

Loading capacity (kg) 1:18	2x22
Loading capacity (kg) 1:20	2x20
Volume (l)	2x363
Diameter (mm)	760
Depth (mm)	800

**Speed**

Tumbler speed (rpm)	32
---------------------	----

**Door**

Floor to lower door bottom (mm)	236
Floor to upper door bottom (mm)	1235
Diameter(mm)	620

**Power**

Motor (kw)	2x0.37
Fan (kw)	2x0.37
Heating (kw) (Electric model)	2x15

**Heating way**

Electricity, Steam or Gas

**Connections**

Gas inlet (inch) (Gas model)	1/2
Exhaust (inch)	6

**Dimensions**

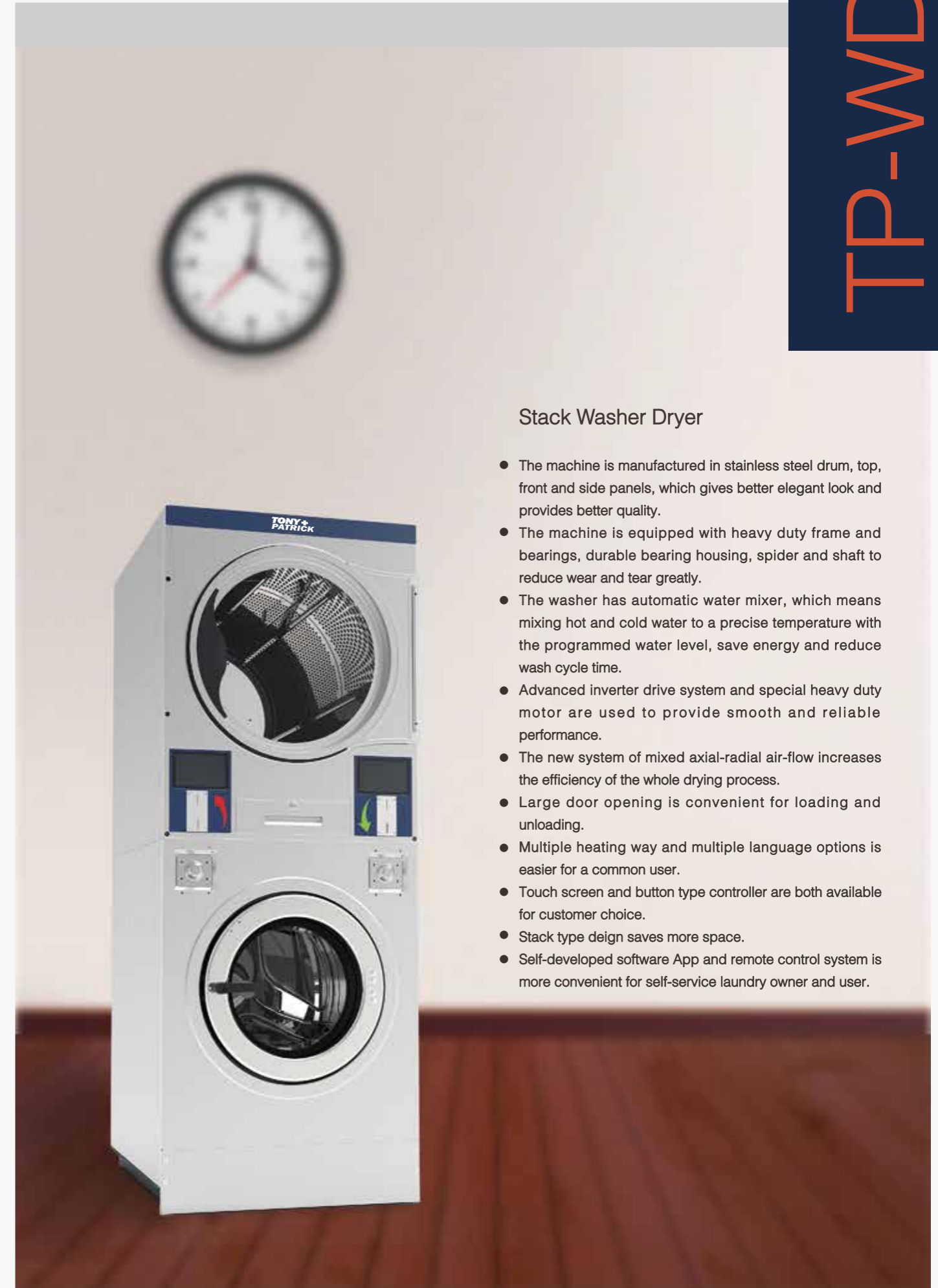
Width (mm)	803
Depth (mm)	1270
Height (mm)	2010
Net weight (kg)	325

**Packing dimensions**

Width (mm)	913
Depth (mm)	1380
Height (mm)	2130
Gross weight (kg)	355

**Others**

Self-service version (Yes, No)

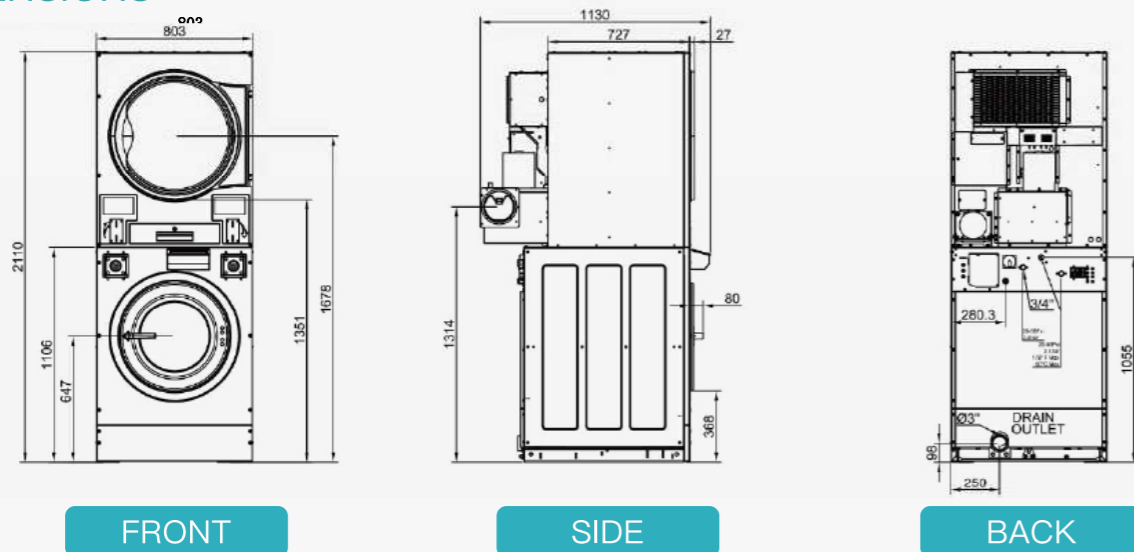


Stack Washer Dryer

- The machine is manufactured in stainless steel drum, top, front and side panels, which gives better elegant look and provides better quality.
- The machine is equipped with heavy duty frame and bearings, durable bearing housing, spider and shaft to reduce wear and tear greatly.
- The washer has automatic water mixer, which means mixing hot and cold water to a precise temperature with the programmed water level, save energy and reduce wash cycle time.
- Advanced inverter drive system and special heavy duty motor are used to provide smooth and reliable performance.
- The new system of mixed axial-radial air-flow increases the efficiency of the whole drying process.
- Large door opening is convenient for loading and unloading.
- Multiple heating way and multiple language options is easier for a common user.
- Touch screen and button type controller are both available for customer choice.
- Stack type design saves more space.
- Self-developed software App and remote control system is more convenient for self-service laundry owner and user.

## Stack Washer Dryer 12.5/16KG

### DIMENSIONS


**FRONT**
**SIDE**
**BACK**

### SPECIFICATIONS

**Model** TP-WD125/160

**Washer Drum**

Loading capacity (kg) 1:9	12.5/16
Loading capacity (kg) 1:10	11/15
Volume (l)	135
Diameter (mm)	650
Depth (mm)	410

**Dryer Drum**

Loading capacity (kg) 1:18	16
Loading capacity (kg) 1:20	14.5
Volume (l)	290
Diameter (mm)	760
Depth (mm)	640

**Washer Speed**

Washing speed (rpm)	32
Mediate spinning speed (rpm)	420
High spinning speed (rpm)	700
G-force	200

**Dryer Speed**

Tumbler speed (rpm)	32
---------------------	----

**Door**

Washer height center to floor (mm)	647
Washer height bottom to floor (mm)	368
Washer diameter (mm)	400
Dryer height center to floor (mm)	1678
Dryer height bottom to floor (mm)	1351
Dryer diameter (mm)	620

**Power**

Washer motor (kw)	1.5
Dryer motor (kw)	0.37
Dryer fan motor (kw)	0.37
Dryer heating (kw) (Electric model)	15

**Heating way**

Dryer (Electricity, Steam, Gas)

**Connections**

Washer water inlet (inch)	3/4
Drain diameter (inch)	3
Dryer gas inlet (inch)	1/2

**Dimensions**

Width (mm)	803
Depth (mm)	1130
Height (mm)	2110
Net weight (kg)	350

**Packing dimensions**

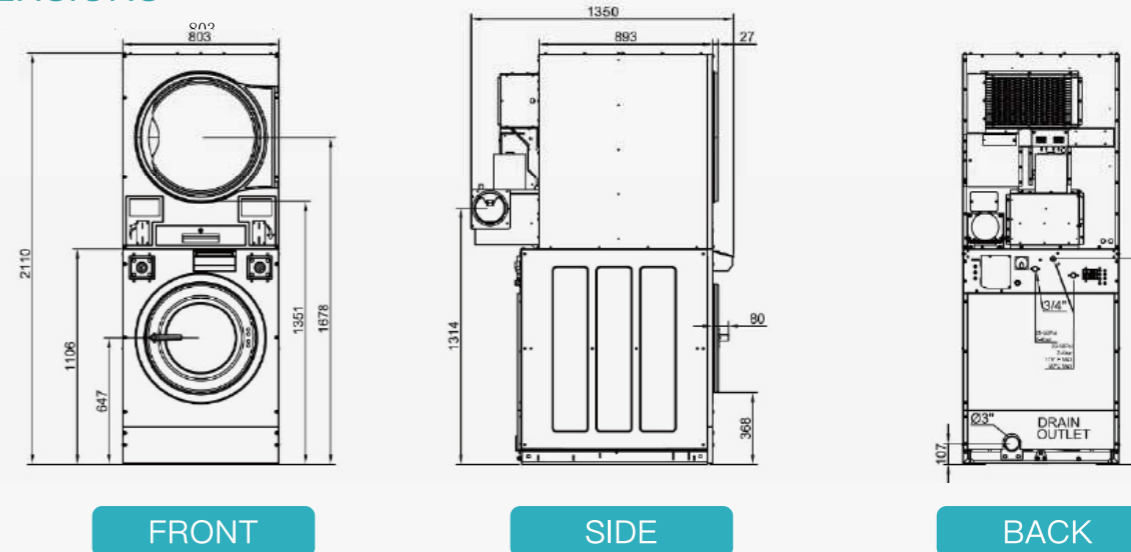
Width (mm)	913
Depth (mm)	1240
Height (mm)	2230
Gross weight (kg)	370

**Others**

Self-service version (Yes, No)	YES
--------------------------------	-----

## Stack Washer Dryer 22KG

### DIMENSIONS


**FRONT**
**SIDE**
**BACK**

### SPECIFICATIONS

**Model** TP-WD220

**Washer Drum**

Loading capacity (kg) 1:9	22
Loading capacity (kg) 1:10	20
Volume (l)	180
Diameter (mm)	650
Depth (mm)	540

**Dryer Drum**

Loading capacity (kg) 1:18	22
Loading capacity (kg) 1:20	20
Volume (l)	363
Diameter (mm)	760
Depth (mm)	800

**Washer Speed**

Washing speed (rpm)	32
Mediate spinning speed (rpm)	420
High spinning speed (rpm)	700
G-force	200

**Dryer Speed**

Tumbler speed (rpm)	32
---------------------	----

**Door**

Washer height center to floor (mm)	647
Washer height bottom to floor (mm)	368
Washer diameter (mm)	400
Dryer height center to floor (mm)	1678
Dryer height bottom to floor (mm)	1351
Dryer diameter (mm)	620

**Power**

Washer motor (kw)	1.85
Dryer motor (kw)	0.37
Dryer fan motor (kw)	0.37
Dryer heating (kw) (Electric model)	15

**Heating way**

Dryer (Electricity, Steam, Gas)

**Connections**

Washer water inlet (inch)	3/4
Drain diameter (inch)	3
Dryer gas inlet (inch)	1/2

**Dimensions**

Width (mm)	803
Depth (mm)	1350
Height (mm)	2110
Net weight (kg)	450

**Packing dimensions**

Width (mm)	913
Depth (mm)	1470
Height (mm)	2230
Gross weight (kg)	470

**Others**

Self-service version (Yes, No)	YES
--------------------------------	-----